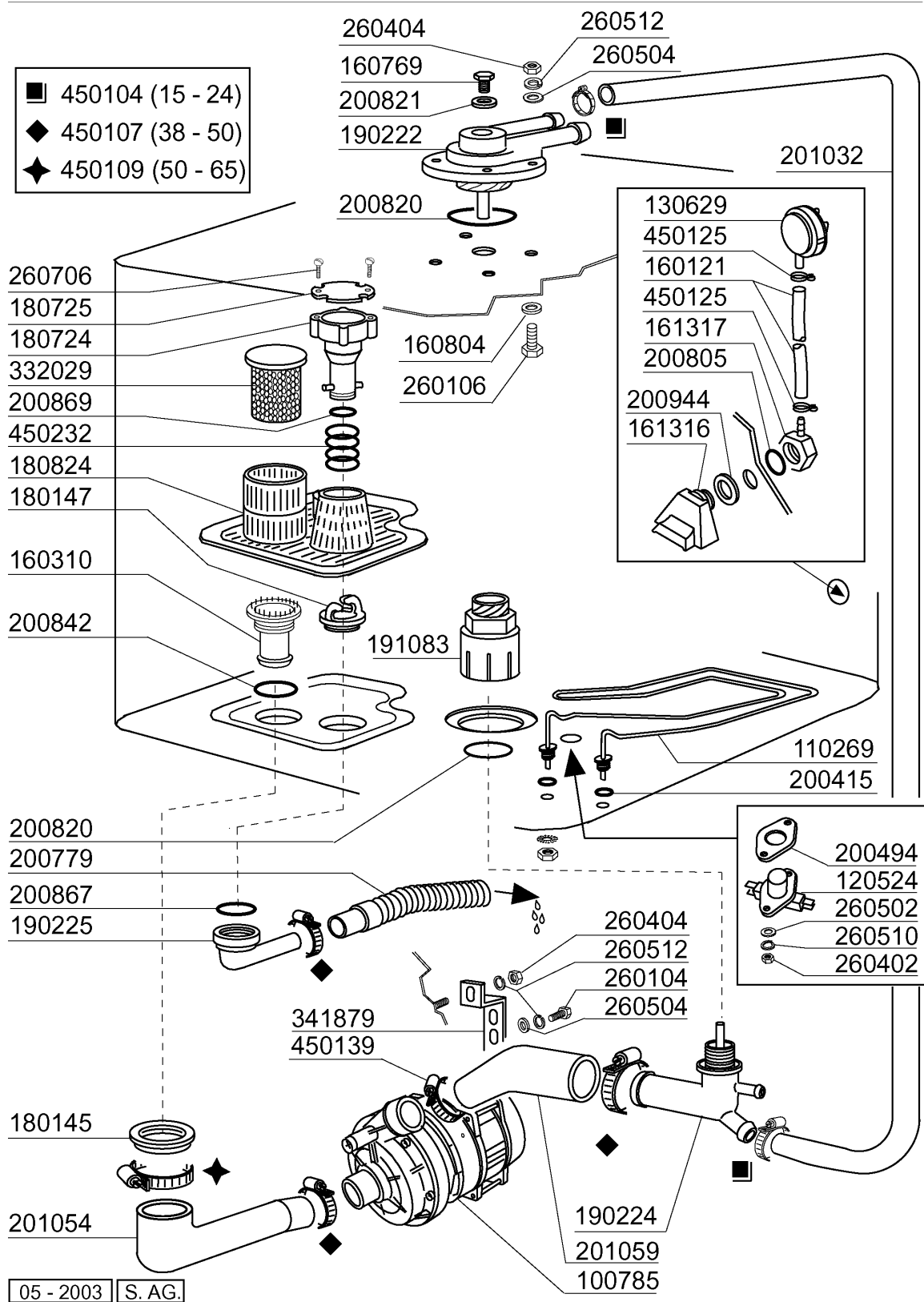


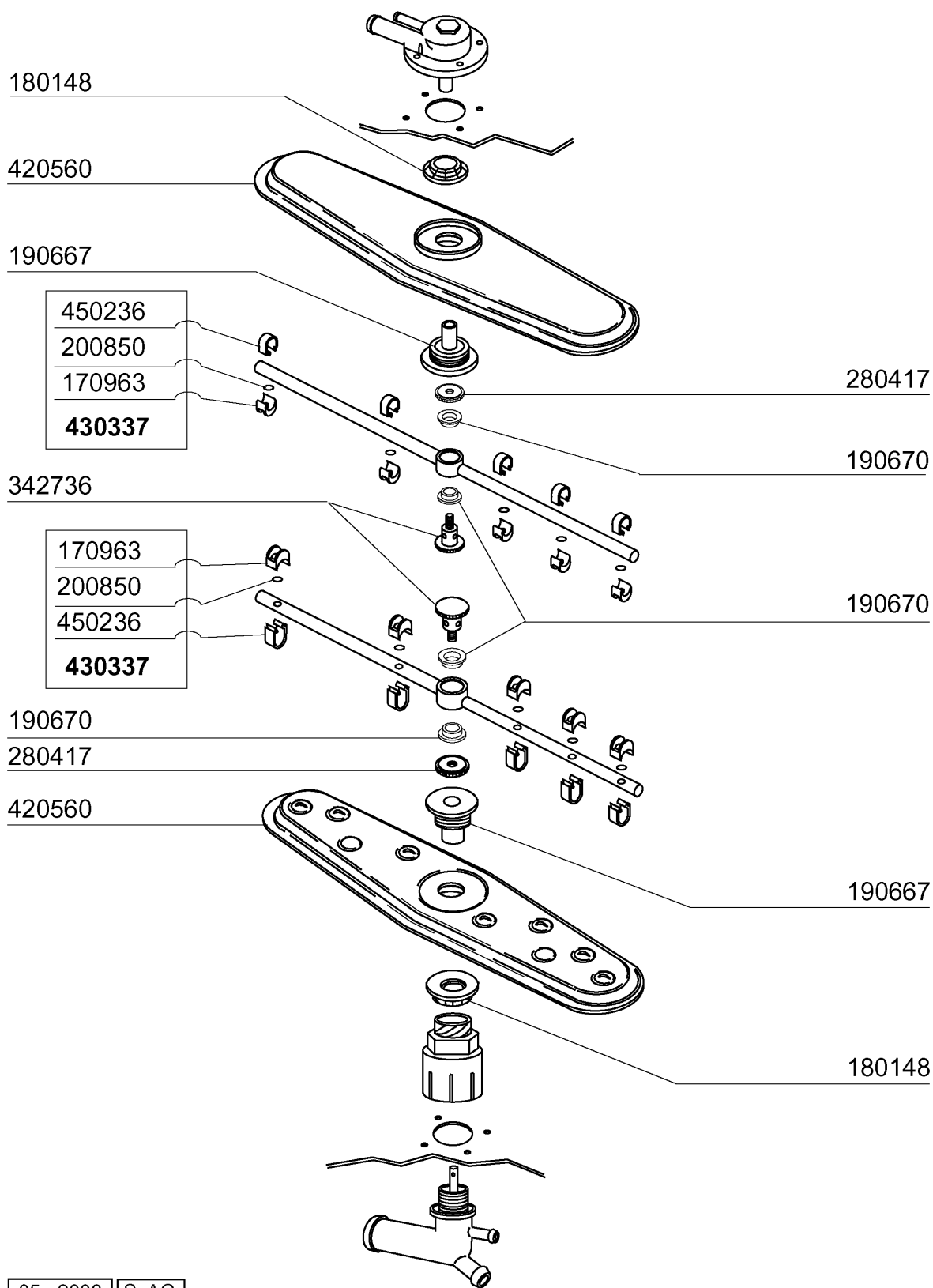
2 - Hood

CODE	DESCRIPTION
150838	CABLE HOLDER FOR BHC
160542	SCREW SUPPORT
160720	PLUG HEYCO D.8
160755	PLUG FOR MACHINES WITHOUT SOFT
160788	PLUG
160789	NUT
160838	SLIDING WASHER TIE ROD FC
160905	SLIDING PLATE F. TIE ROD
180506	DOOR CATCH BR-BC-FC
190619	DOOR CATCH B-F-R
190657	RACK STOP BHC
200415	AIR TRAP GASKET -F2 18,5X10X3
200433	SPONGY RUBBER RECT. 6X2,5 ADHE
200489	GASKET 81X68X3
200943	GASKET
200945	DOOR GASKET BHC
210207	FOOT BHC
260104	STAINL.ST TE-SCREW A2 6X16 UNI
260138	SCREW TE 4X10
260139	SCREW TE 5X16
260238	M4 X 10 MUSH/HD SCREW
260323	SCREW TSP 5X20
260326	SCREW TS 5X10
260403	NUTS D.5
260404	STAINLESS STEEL NUTS D6 UNI 55
260414	SELF-LOCKING NUT M5
260418	SELF-LOCKING NUT M4
260503	STAINL.STEEL FLAT WASHER D5 UN
260512	ST/ST GROWER WASHER D6
260712	SCREW 2,9X9,5
260713	SCREW 3,9X16
260714	SCREW 4,2X19
261013	SCREW
261015	SCREW 3,9X13
322335	COVER BHC
322644	RACK GUIDE BHC
323007	DOOR BHC30
330235	ROD FOR BHC DOOR
342087	PIN
342531	HOOD
342701	PIN FOR TIE ROD
351408	LATERAL PANEL
351409	LATERAL PANEL
351715	FRONT PANEL
351912	BACK PANEL BHC30
390175	PANEL
411010	DOOR MAGNET
450234	SPRING
450821	SPRING CLIP FASTENER SNU 3634
450829	DOOR BRACKET BHC
450831	SCREW SUPPORT
463140	NAME PLATE
463141	NAME PLATE



3 - Tank

CODE	DESCRIPTION
100785	PUMP LGB ZF140 0.5HP
110269	TANK HEATER 2000W
120524	TANKTHERMOSTAT GLASSWASHER
130629	PRESSURE SWITCH 1L30-12
160121	HOSE EPDM D. 5 X 9
160310	INLET HOSE BHC
160769	PLUG F.UPPER WASH ARM SUPPORT
160804	GASKET D.6
161316	AIR TRAP
161317	NUT FOR AIR TRAP
180145	NUT
180147	NUT
180724	OVERFLOW PIPE BHC
180725	OVERFLOW PIPE COVER
180824	TANK STRAINER BHC
190222	UPPER ARM SUPPORT
190224	LOWER TEE WASH-RINSE
190225	DRAIN OUTLET
191083	LOWER WASH ARM SUPPORT
200415	AIR TRAP GASKET -F2 18,5X10X3
200494	GASKET FOR TANKTHERMOSTAT BT
200779	DRAIN HOSE FOR BR-BC-FC43
200805	OR GASKET 2,62X28,24X33,48
200820	O-RING151 46,99X5,33X57,6
200821	O-RING 2,62X20,63
200842	SEAL RING OR158 PB701 NITRILE
200867	GASKET
200869	GASKET
200944	GASKET
201032	OUTLET HOSE
201054	TANK INLET HOSE
201059	OUTLET HOSE
260104	STAINL.ST TE-SCREW A2 6X16 UNI
260106	SCREW TE 6X25
260402	STAINLESS STEEL NUT D4 UNI 55
260404	STAINLESS STEEL NUTS D6 UNI 55
260502	S/S FLAT WASHER D.4
260504	ST/ST FLAT WASHER D6
260510	GROWER WASHER D.4
260512	ST/ST GROWER WASHER D6
260706	SCREW 3,9X13 S/S
332029	PUMP FILTER BHC
341879	BRACKET FOR PUMP
450104	CLAMP FE ZN H=12,5 15-24
450107	CLAMP FE ZN 38-50 H=12,2
450109	CLAMP 50-65
450125	ELASTIC CLAMP D. 10,4X9,8
450139	CLAMP 26-38 H=9
450232	SPRING

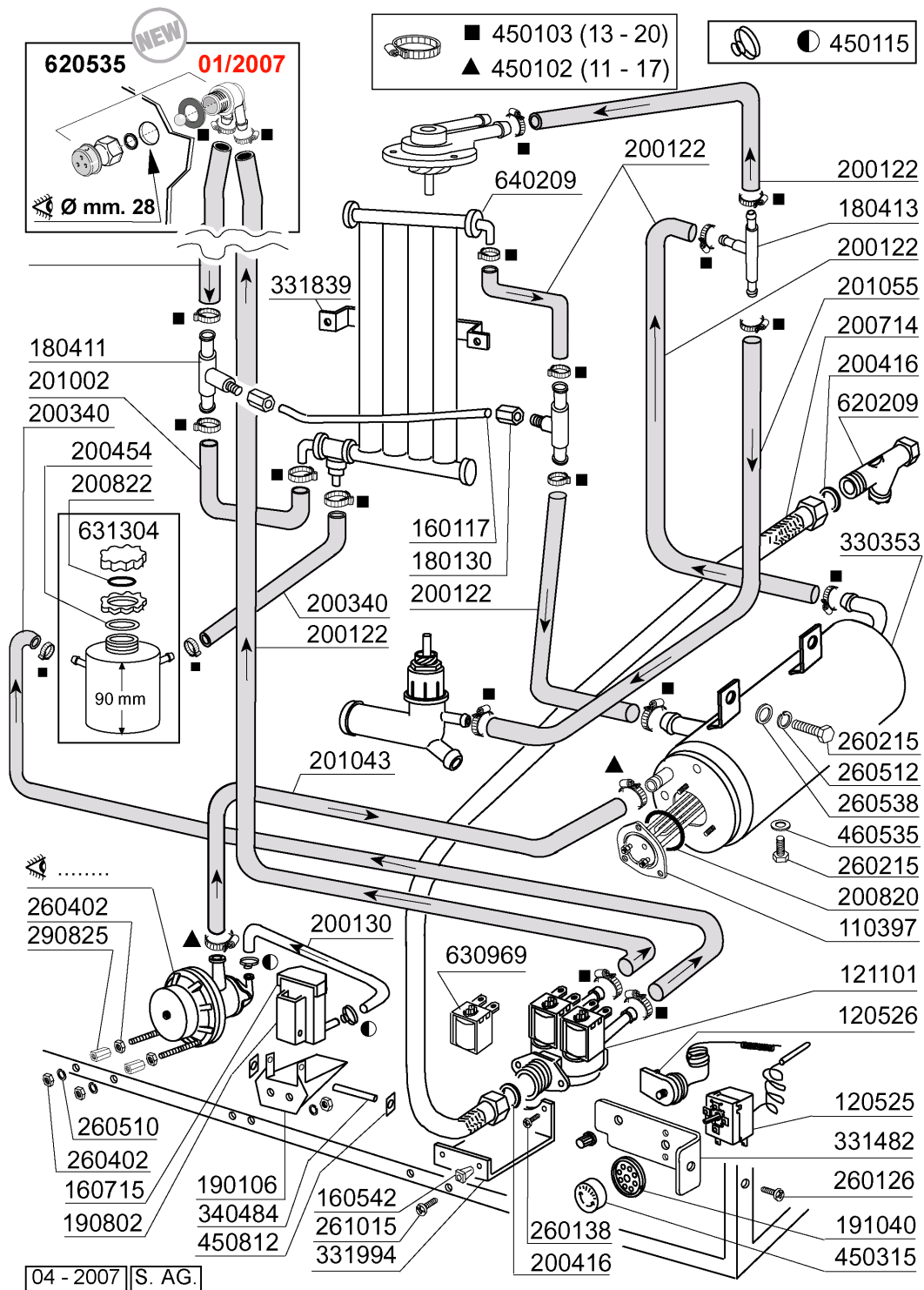


05 - 2003 S. AG.

4 - Wash arm

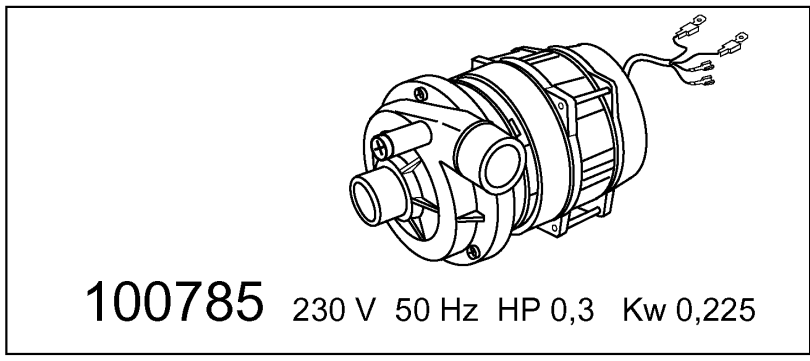
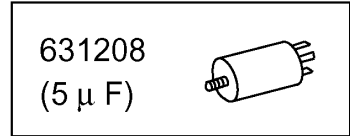
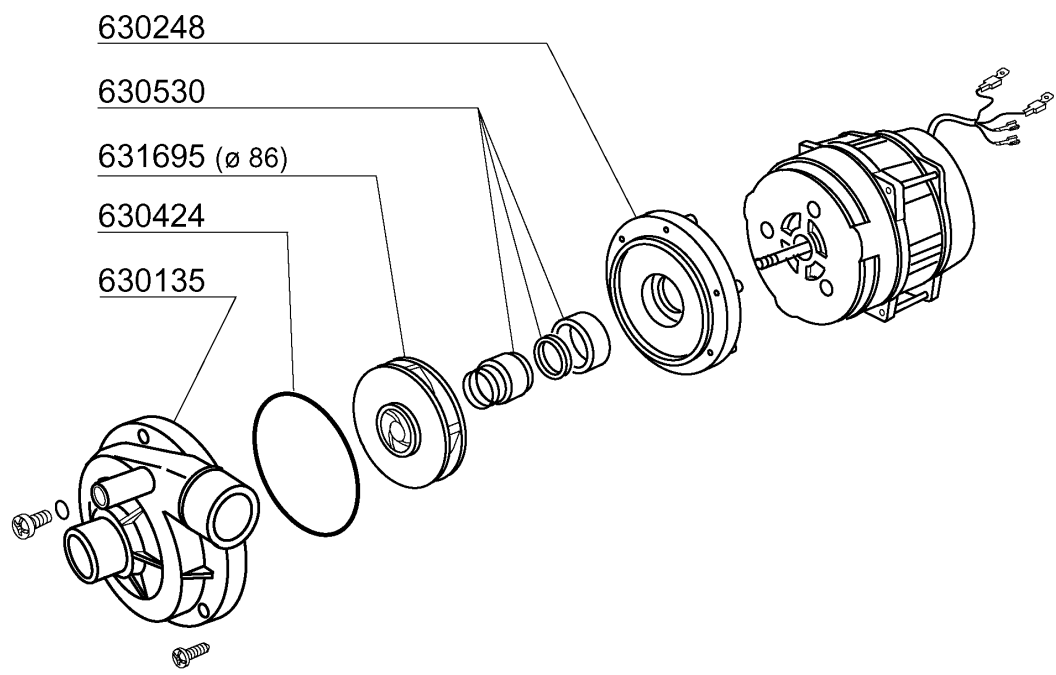
CODE	DESCRIPTION
170963	RINSE JET X FC
180148	NUT
190667	BUSH
190670	BUSH
200850	O-RING
280417	RETAIN.LOCK NUT
342736	PIN
420560	WASH ARM BHCHR
430337	RINSE ARM BHC/1
450236	SPRING FOR WASHER 170963

5 - Rinse Assembly/Water softener



5 - Rinse Assembly/Water softener

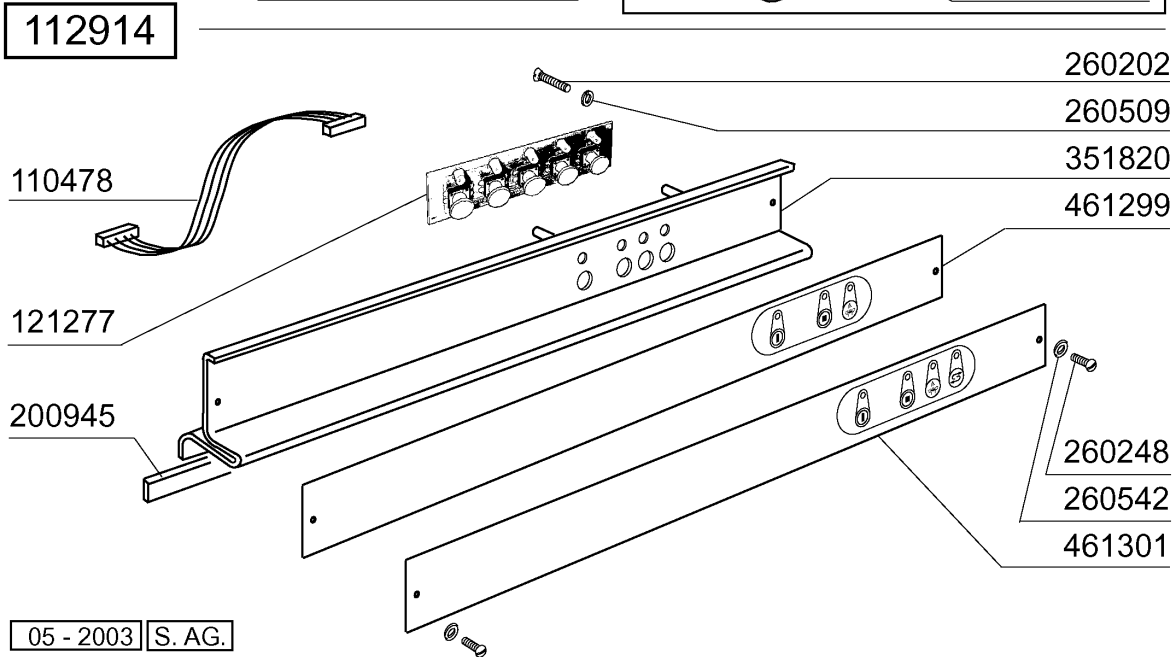
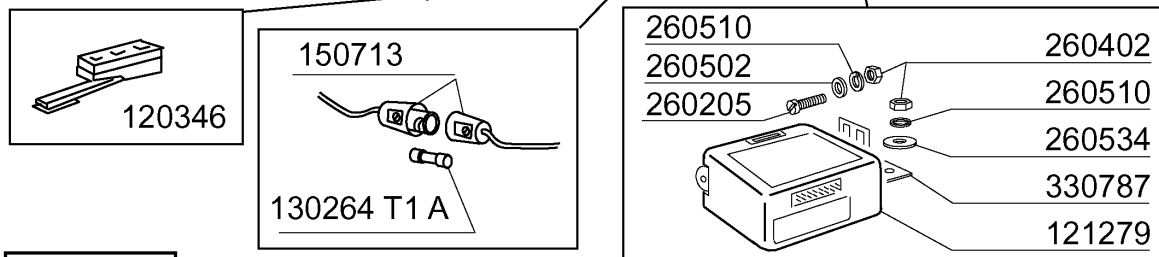
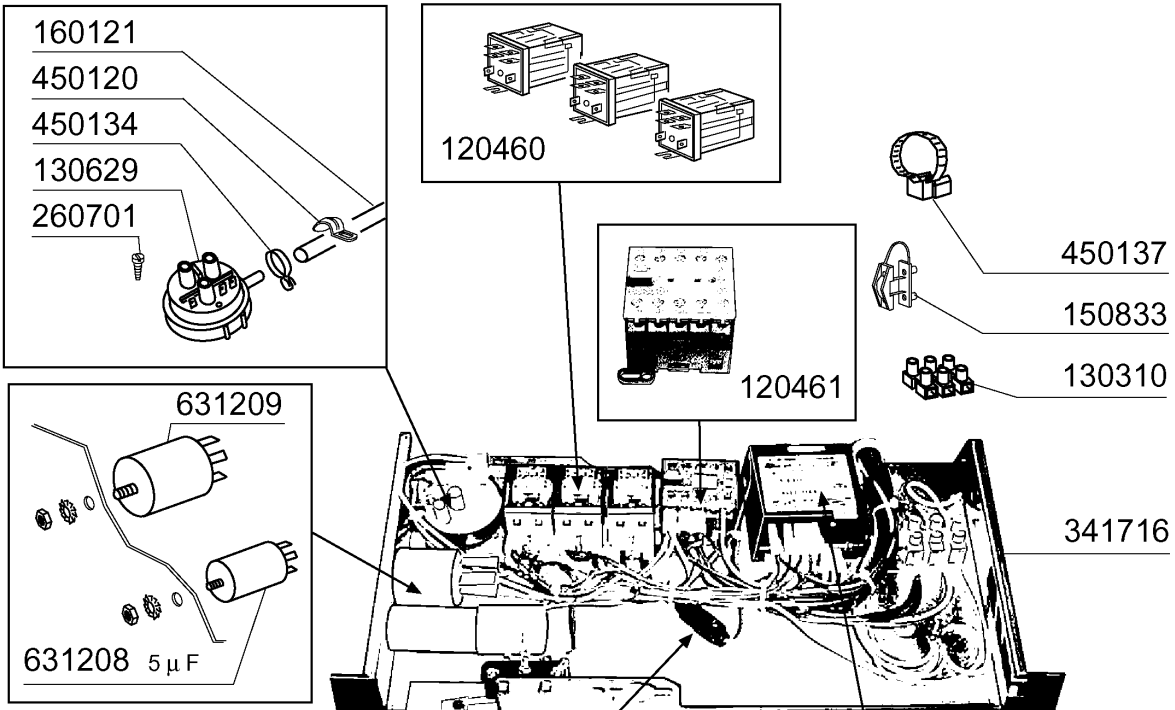
CODE	DESCRIPTION
110397	HEATER 3200W 230V/1
120525	BOOSTER THERMOSTAT 2 TEMPERAT.
120526	SAFETY THERMOSTAT 2POLES
121101	SOLENOID VALVE 2 WAYS - 180Ø L
160117	HOSE 6,3X1,1 WITHE
160542	SCREW SUPPORT
160715	COVER FOR RINSE AID CONTAINER
180130	CONNECTION NUT FOR BY PASS (1/
180411	TEE-NIPPLE FOR BY PASS "BTM"
180413	TEE NIPPLE D.11,5 - RINSE ASSE
190106	RINSE AID CONTAINER SUPP. B23-
190802	RINSE.AID CONTAINER B20-B41S
191040	FRAME F.THERMOSTAT KNOB
200122	HOSE 11X19
200130	RINSE AID INJECTOR SUCTION HOS
200340	SALT CONTAINER HOSE B25-7-12
200416	GASKET D. 3/4"
200454	GASKET F. SALT CONT.
200714	GLASSWASHER INLET HOSE
200820	O-RING151 46,99X5,33X57,6
200822	PLUG GASKET OF SALT CONTAINER
201002	HOSE
201043	OUTLET HOSE
201055	HOSE
260126	SCREW TE 5X12
260138	SCREW TE 4X10
260215	SCREW TCP 6X16
260402	STAINLESS STEEL NUT D4 UNI 55
260510	GROWER WASHER D.4
260512	ST/ST GROWER WASHER D6
260538	WASHER 18X6X1,5 ST/ST
261015	SCREW 3,9X13
290825	SPACER
330353	BOILER BHC
331482	BRACKET FOR 2 THERMOST. B-F20
331839	BRACKET FOR WATER SOFTENER
331994	BRACKET FOR SOLENOID VALVE BHC
340484	SHAFT F. RINSE AID CONTAINER
450102	CLAMP FE ZN 11-17 H=9
450103	CLAMP FE ZN. 13-20 H=9
450115	ELASTIC CLAMP D.8,3/7,8
450315	KNOB F. THERMOSTAT 90Ø
450812	SPRING FOR SPINDLE (CODE NO.34
460535	GASKET FOR BOILER PLUG BHC
620209	INLET WATER FILTER
620535	VACUUM BREAKER
630969	COIL S4216 220/50HZ
631304	SALT CONTAINER
640209	WATER SOFTENER (4 COLUMNS)



04 - 2003 | S. AG.

6 - Wash pump

CODE	DESCRIPTION
100785	PUMP LGB ZF140 0.5HP
630135	PUMP VOLUTE LGB 0,30HP ZF140
630248	PUMP COVER LGB 0,30HP ZF140
630424	PUMP GASKET LGB 0,3HP ZF140
630530	SEAL FOR PUMP LGB 0,3HP ZF140
631208	CONDENSER 5MF.450V
631695	PUMP IMPELLER 0,3HP LGB



05 - 2003 | S. AG.

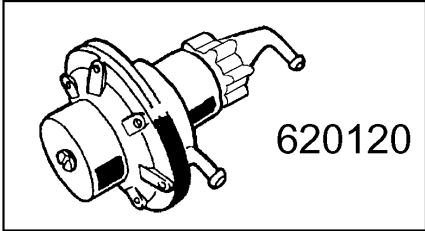
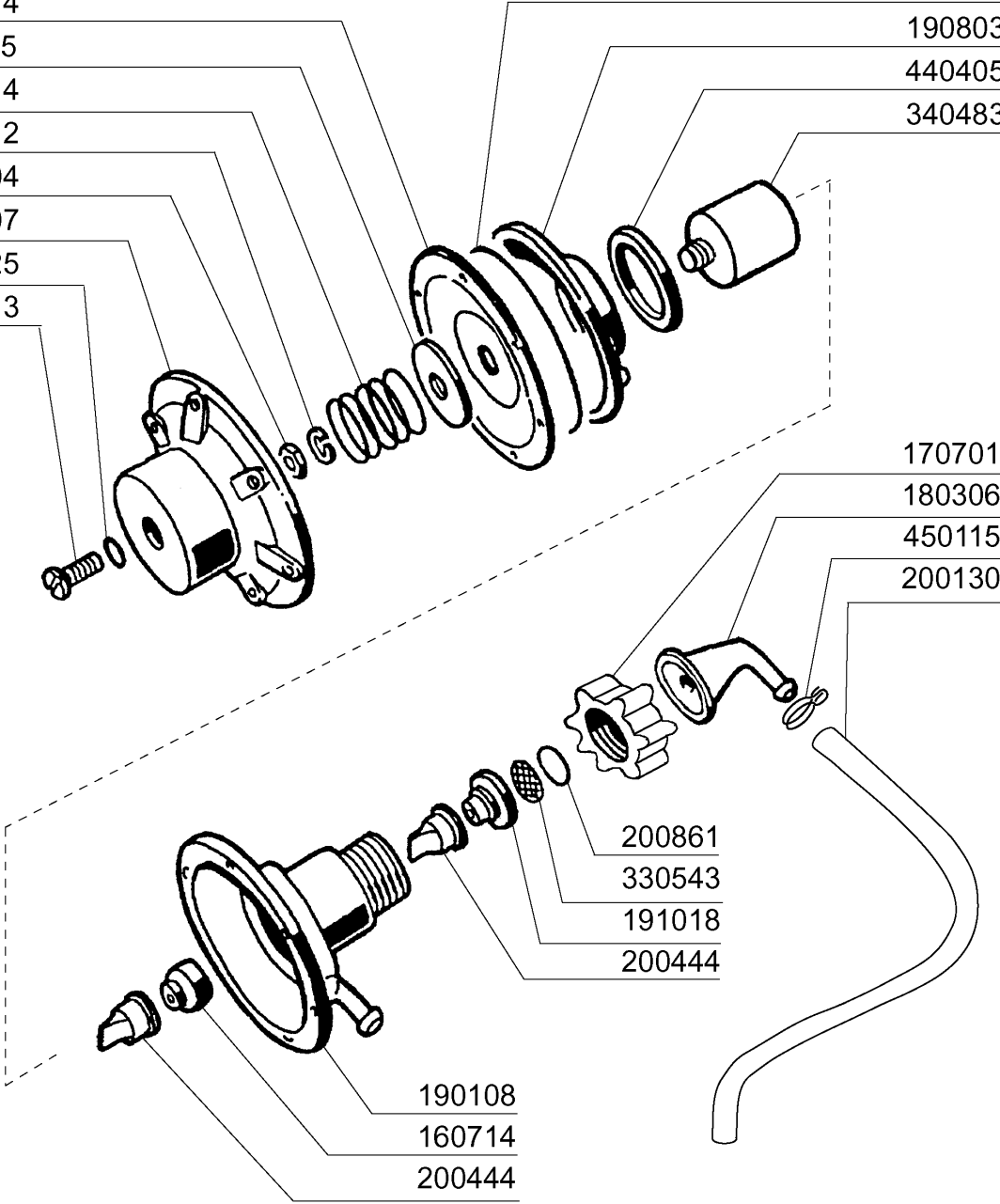
7 - Control-box

CODE	DESCRIPTION
110478	FLAT CABLE FOR FC54E PCB
112914	WIRHNG BHC-E
120346	DOOR MICROSWITCH WITH MAGNET
120460	RELAY 16A 220V
120461	CONTACTOR ABB B6-30-01 220V
121277	CONTROL PANEL
121279	ELECTRONIC TIMER
130264	FUSE 5X20 1A
130310	TERMINAL BLOCK 3 POSITIONS
130629	PRESSURE SWITCH 1L30-12
150713	FUSE BLOCK
150833	CABLE HOLDER BC/BR
160121	HOSE EPDM D. 5 X 9
200945	DOOR GASKET BHC
260202	SCREW TCP 3X16
260205	SCREW TCP 4X16
260248	SPECIAL SCREW TB 5X12
260402	STAINLESS STEEL NUT D4 UNI 55
260502	S/S FLAT WASHER D.4
260509	GROWER WASHER D.3
260510	GROWER WASHER D.4
260534	WASHER
260542	WASHER D.5
260701	SCREW 3,5X9,5
330787	BRACKET
341716	SUPPORT FOR ELECTR. PANEL BR-B
351820	PLATE SUPPORT
450120	ZINC CLAMP FOR HOSE D.7
450134	ELASTIC HOSE CLIP D.9,3/8,8
450137	COLLAR CONNECTION WITH BASE 31
461299	PLATE BHC-E
461301	CONTROL PANEL
631208	CONDENSER 5MF.450V
631209	ANTI-NOISE FILTER

8 - Rinse aid injector

- 630614
- 381105
- 450214
- 260512
- 260404
- 190107
- 200825
- 260213

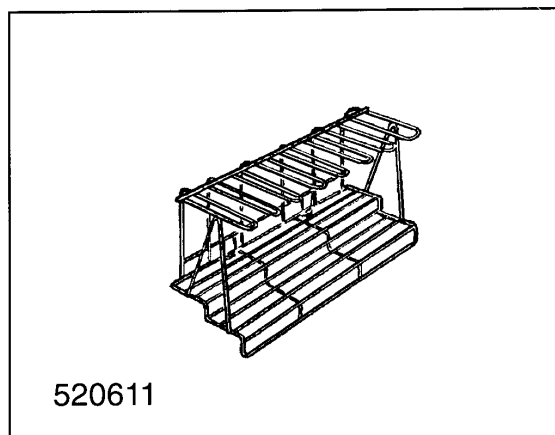
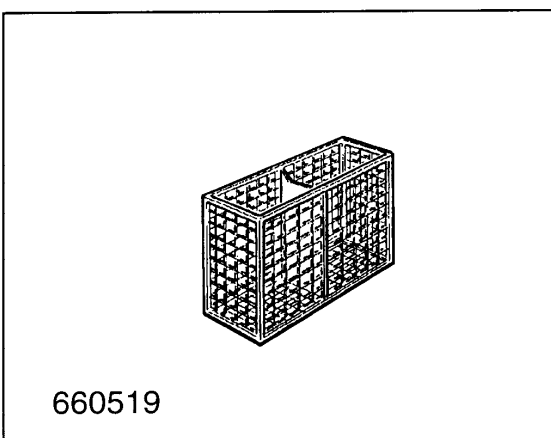
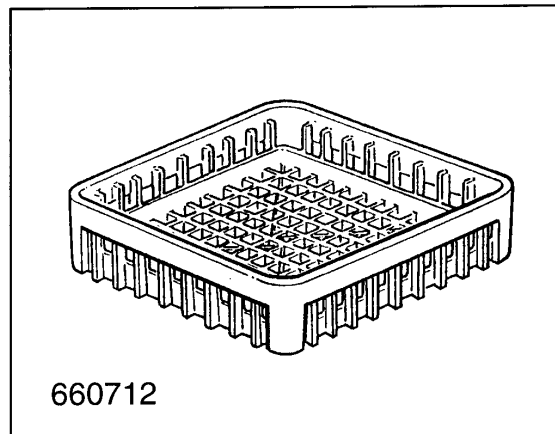
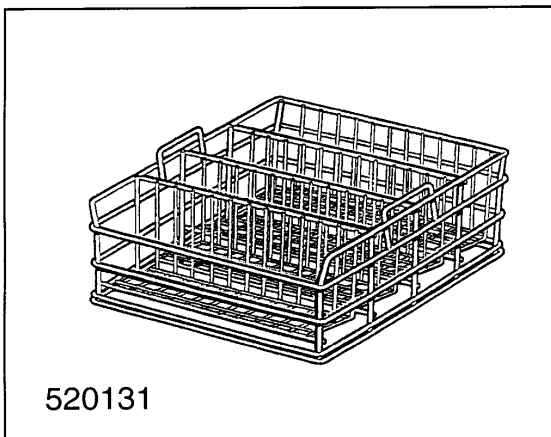
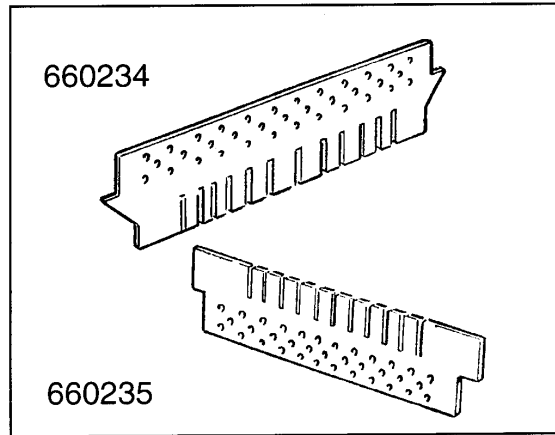
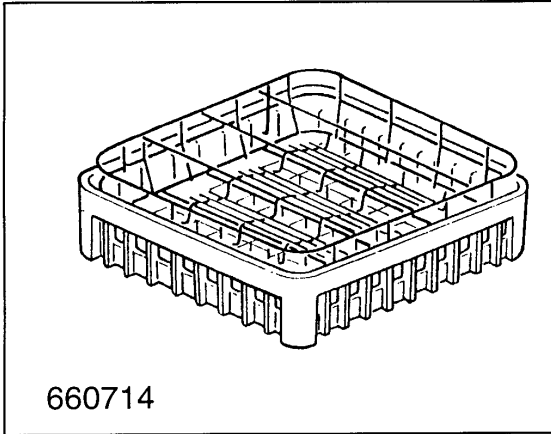
- 200816
- 190803
- 440405
- 340483



04 - 2003 | S. AG.

8 - Rinse aid injector

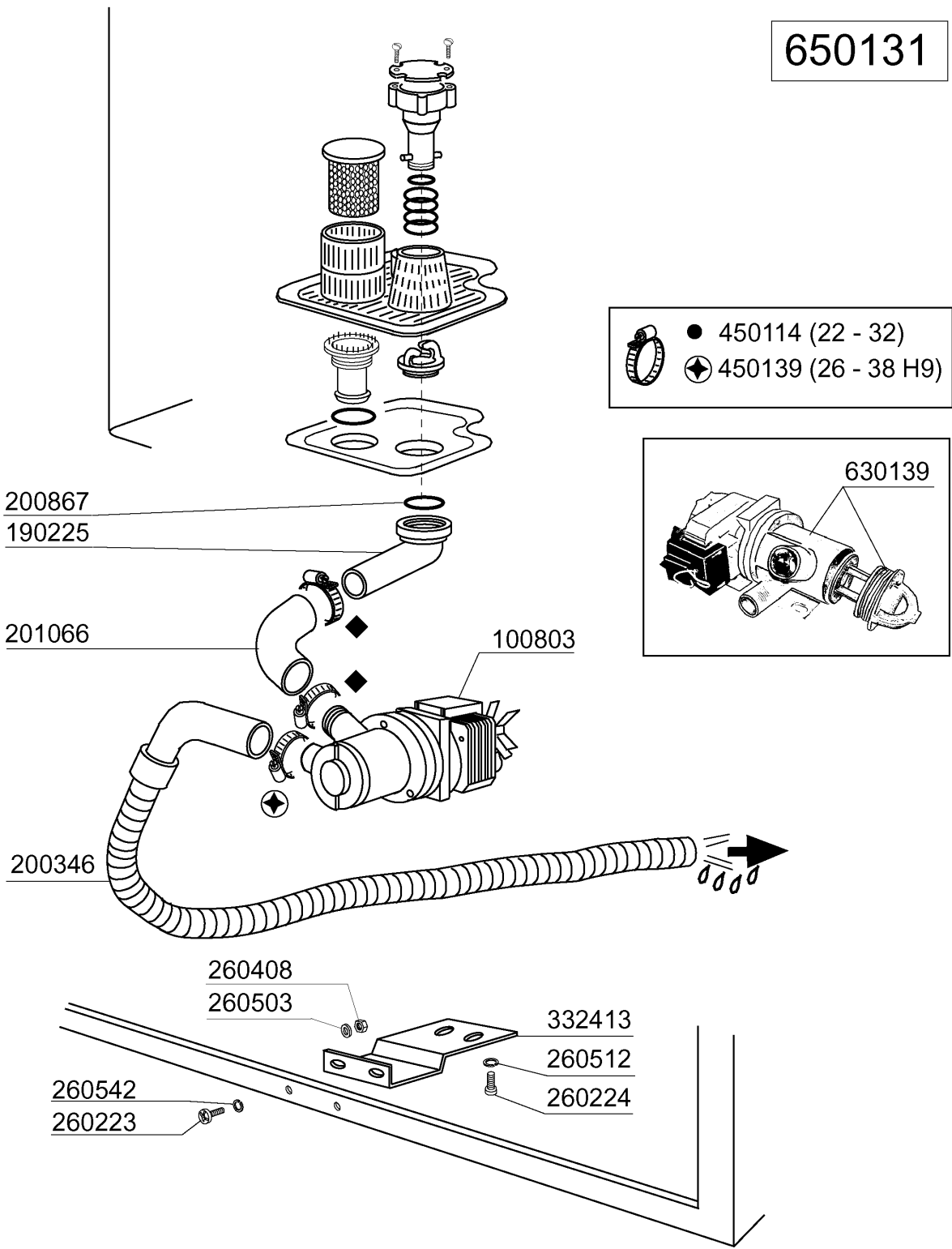
CODE	DESCRIPTION
160714	PLUG FOR RINSE AID INJECTOR MO
170701	LOCK NUT 1/2" F.INJECTOR
180306	NIPPLE F.RINSE AID INJECTOR
190107	COVER FOR RINSE AID DISPENSER
190108	VOLUTE FOR RINSE AID DISPENSER
190803	GASKET SUPPORT RING F.INJECT
191018	FILTER SUPPORT RINSE AID INJEC
200130	RINSE AID INJECTOR SUCTION HOS
200444	SUCTION VALVE RINSE INJECTOR
200816	O-RING 2,5X59,2X64,2 RINSE INJ
200825	O-RING 3X5X11 RINSE INJECTOR
200861	O-RING 14X18X2
260213	SCREW TCP 5X25
260404	STAINLESS STEEL NUTS D6 UNI 55
260512	ST/ST GROWER WASHER D6
330543	FILTER RINSE AID INJECTOR D.17
340483	PISTON FOR RINSE AID DISPENSER
381105	DIAPHRAGME DISC
440405	GASKET FOR RINSE AID INJ.
450115	ELASTIC CLAMP D.8,3/7,8
450214	SPRING RINSE AID INJECTOR
620120	RINSE AID INJECTOR
630614	DIAPHRAGM RINSE INJECTOR



9 - Rack

CODE	DESCRIPTION
520131	GLASS RACK 40X40 H270
520611	INSERT FOR CHAMPAGNE GLASSES
660234	UPPER INSERT FOR 16-25-36 GLAS
660235	LOWER INSERT FOR 16-25-36 GLAS
660519	2-PLACES CUTLERY HOLDER
660712	BASE RACK 400X400
660714	GLASS RACK (400X400)

650131



200867
190225

201066

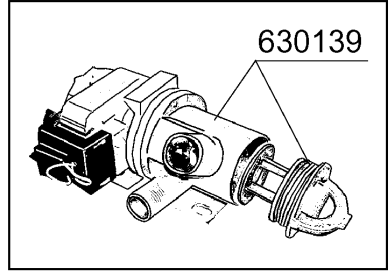
100803

200346

260408
260503

332413
260512
260224

260542
260223

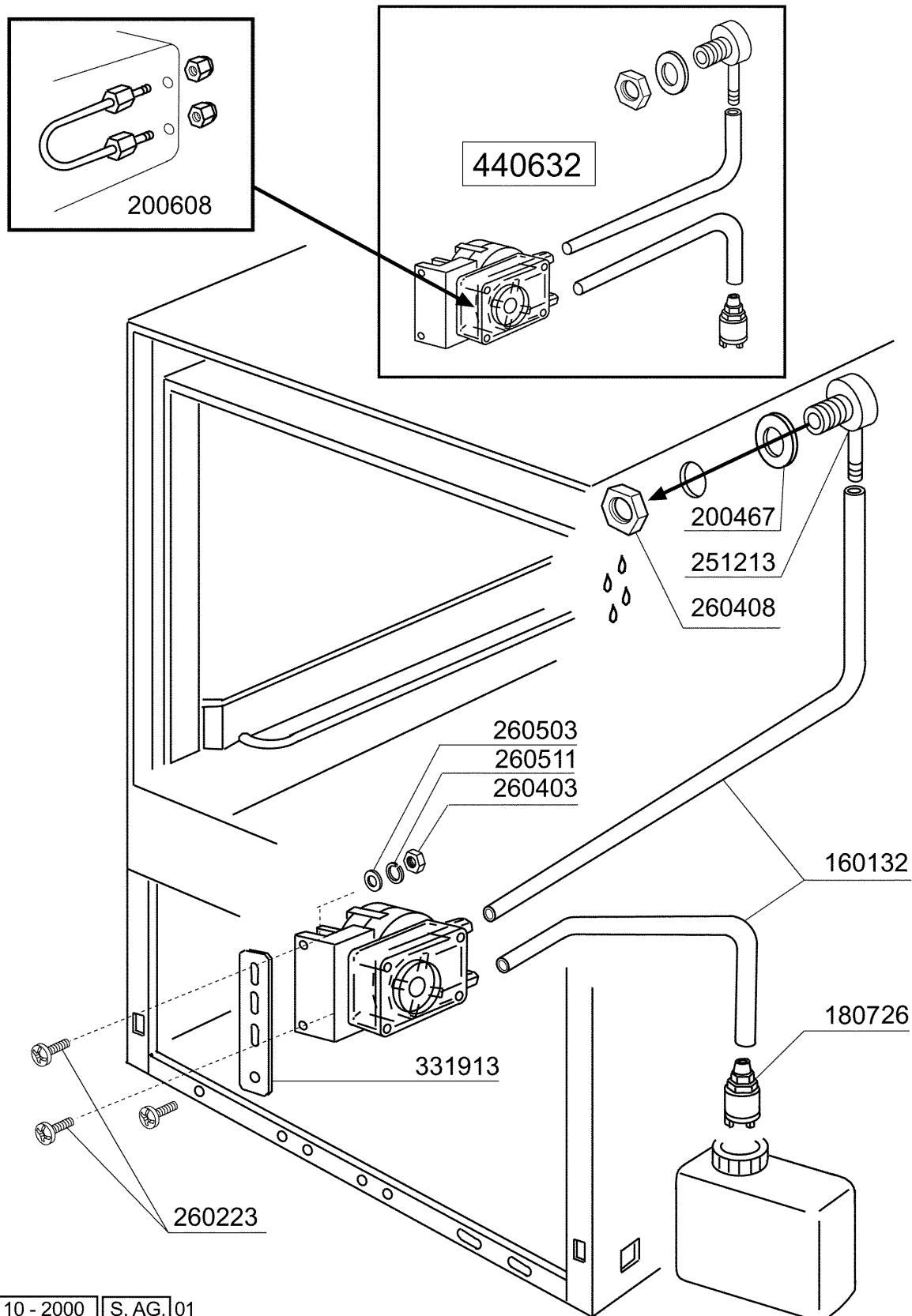


● 450114 (22 - 32)
◈ 450139 (26 - 38 H9)

10 - Drain pump

CODE	DESCRIPTION
100803	DRAIN PUMP WITH FILTER 220/50
190225	DRAIN OUTLET
200346	DRAIN HOSE GLASSWASHER
200867	GASKET
201066	INLET HOSE LB DRAIN PUMP
260223	M5X12 MSH/HD SCREW SPECIAL S/S
260224	TB-SCREW 6X15 B23-10-11-12
260408	S/S NUTS D.12
260503	STAINL.STEEL FLAT WASHER D5 UN
260512	ST/ST GROWER WASHER D6
260542	WASHER D.5
332413	PUMP BRACKET
450114	CLAMP FE ZN.22-32 H=12,2
450139	CLAMP 26-38 H=9
630139	DRAIN PUMP VOLUTE WITH FILTER
650131	DRAIN PUMP KIT FOR BHC 2004

11 - Detergent dispenser



10 - 2000 S. AG. 01

11 - Detergent dispenser

CODE	DESCRIPTION
160132	HOSE 5X7
180726	STREINER FOR RINSE AID INJECTO
200467	DUTRAL GASKET F. AIR TRAP
200608	DETERGENT DISPENSER HOSE
251213	INJECTIOR S/S FOR DETERGENT IN
260223	M5X12 MSH/HD SCREW SPECIAL S/S
260403	NUTS D.5
260408	S/S NUTS D.12
260503	STAINL.STEEL FLAT WASHER D5 UN
260511	GROWER WASHER D.5
331913	BRACKET
440632	DETERGENT INJECTOR